

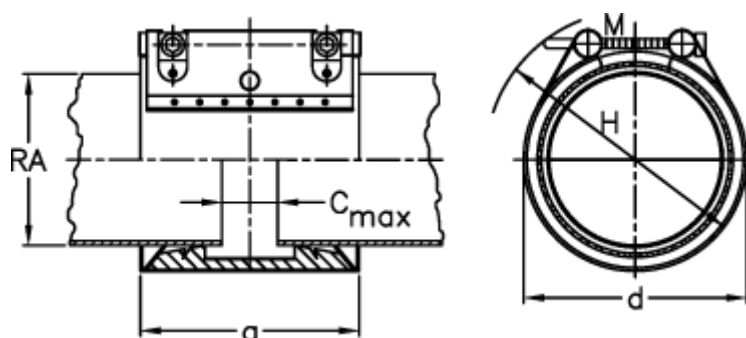
Data Sheet



Article number: 025848460042

Description: Norma Connect pipe coupling
COMBI GRIP GL W2 Ø42,4/40 NBR 16 bar

Measures



| | | |
|---------------------------|-------------|-----------------------------------|
| a | = 62.4 | RA min-RA max plastic = 39,5-40,5 |
| C max with insertion band | = 8 | Weight a piece = 0.6 |
| d | = 60 | |
| H | = 80 | |
| M (screw) | = M8 | |
| Nominal pressure (bar) | = 16 | |
| RA | = 42,4/40,0 | |
| RA min-RA max metal | = 41,0-43,0 | |